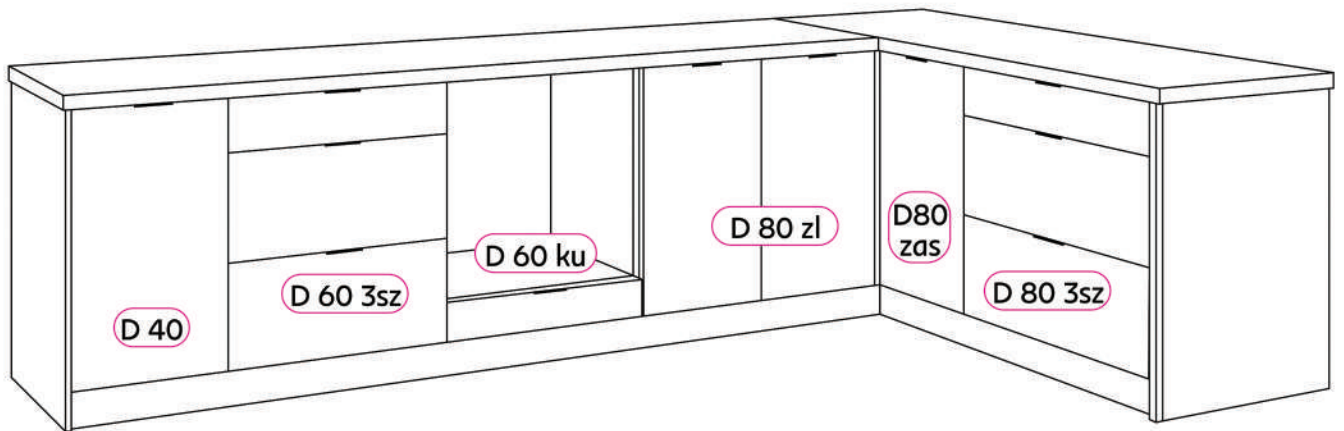
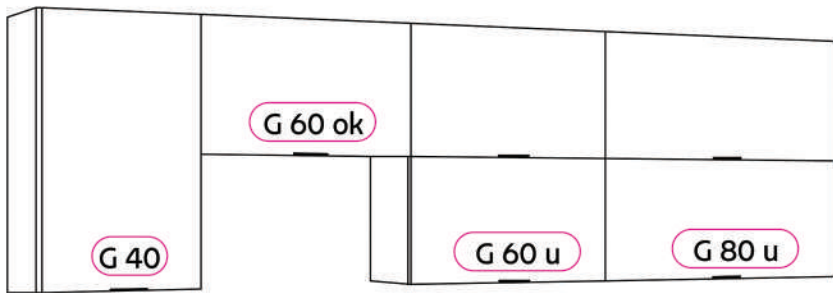
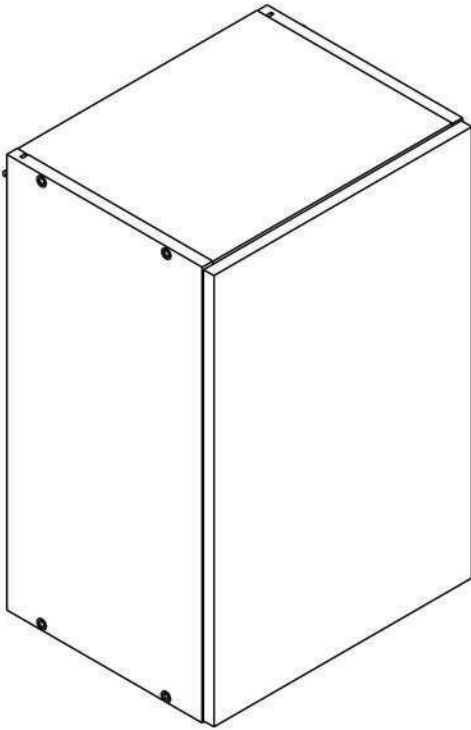

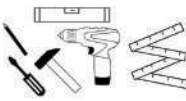



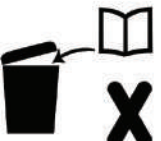


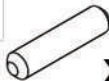




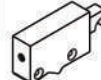




NOLDIC



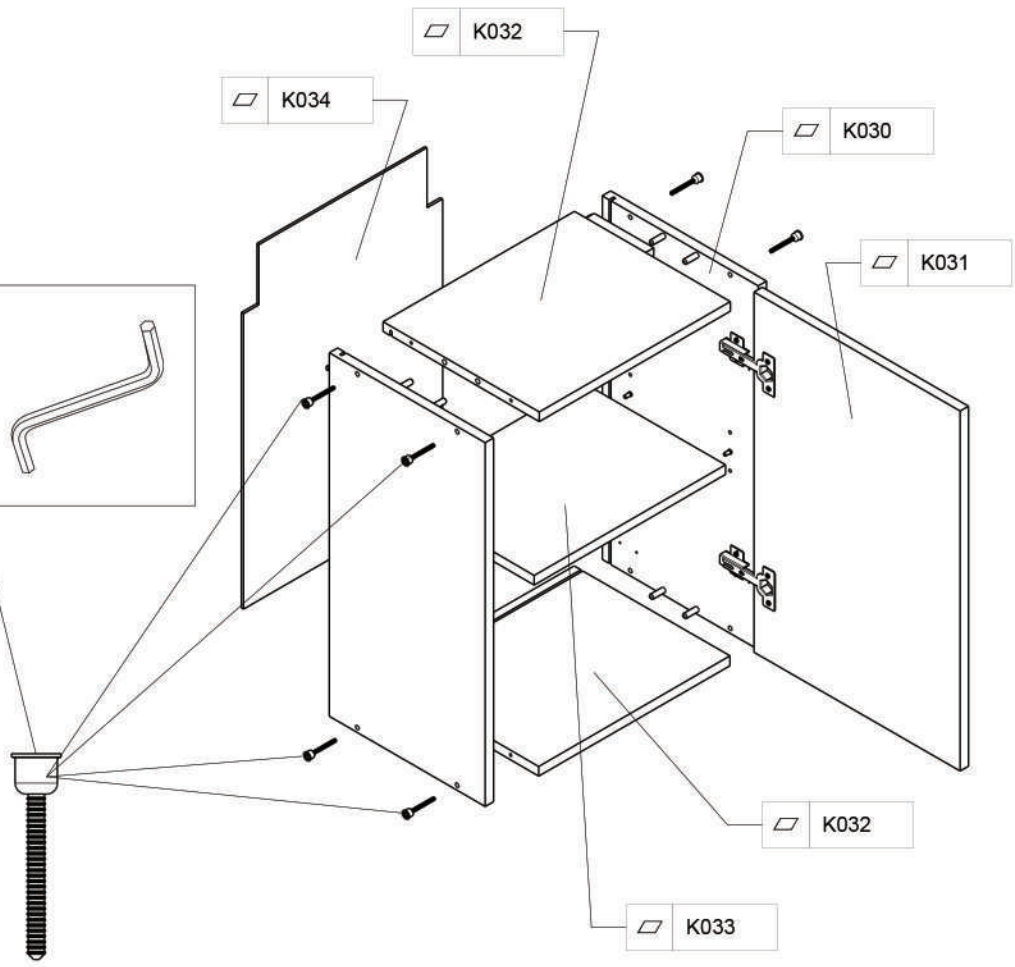
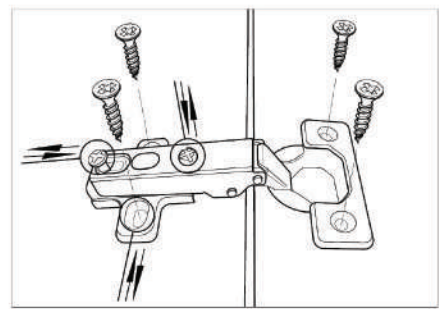
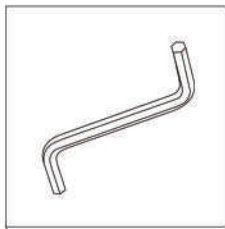
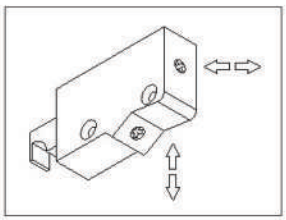
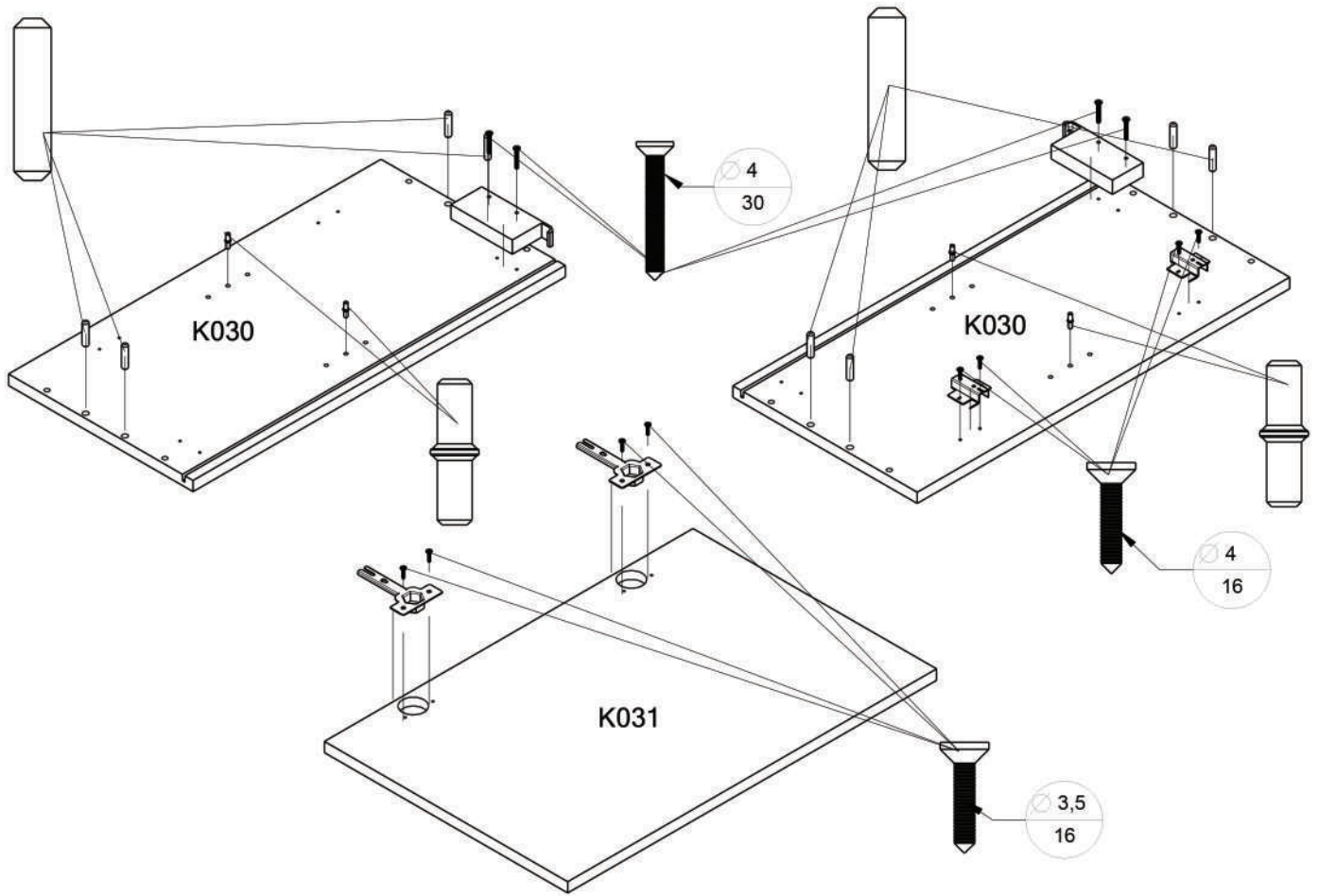
G30/40/60 1F



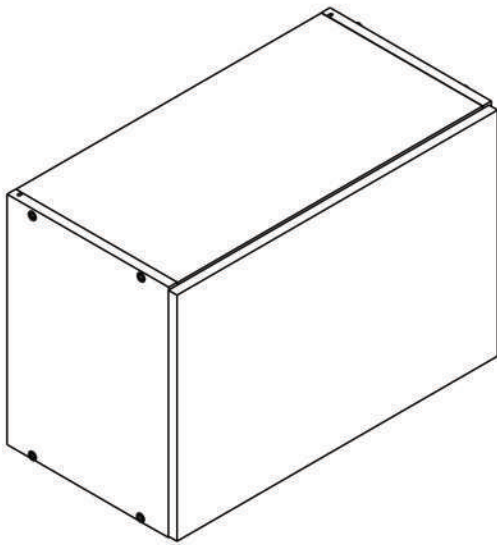
 0,5h		
 X	 X	 X

A  x8	B  x8	C  x4
D  x2	E  x2	F  x2
G  x4 3,5 16	H  x4 4 16	J  x4 4 30
K  x1	L	M

	G30	G40	G60
K030	2x 606x300	2x 606x300	2x 606x300
K031	296x600	396x600	596x600
K032	2x 368x300	2x 368x300	2x 568x300
K033	511x268	511x368	511x568
K034	586x281	586x381	586x581

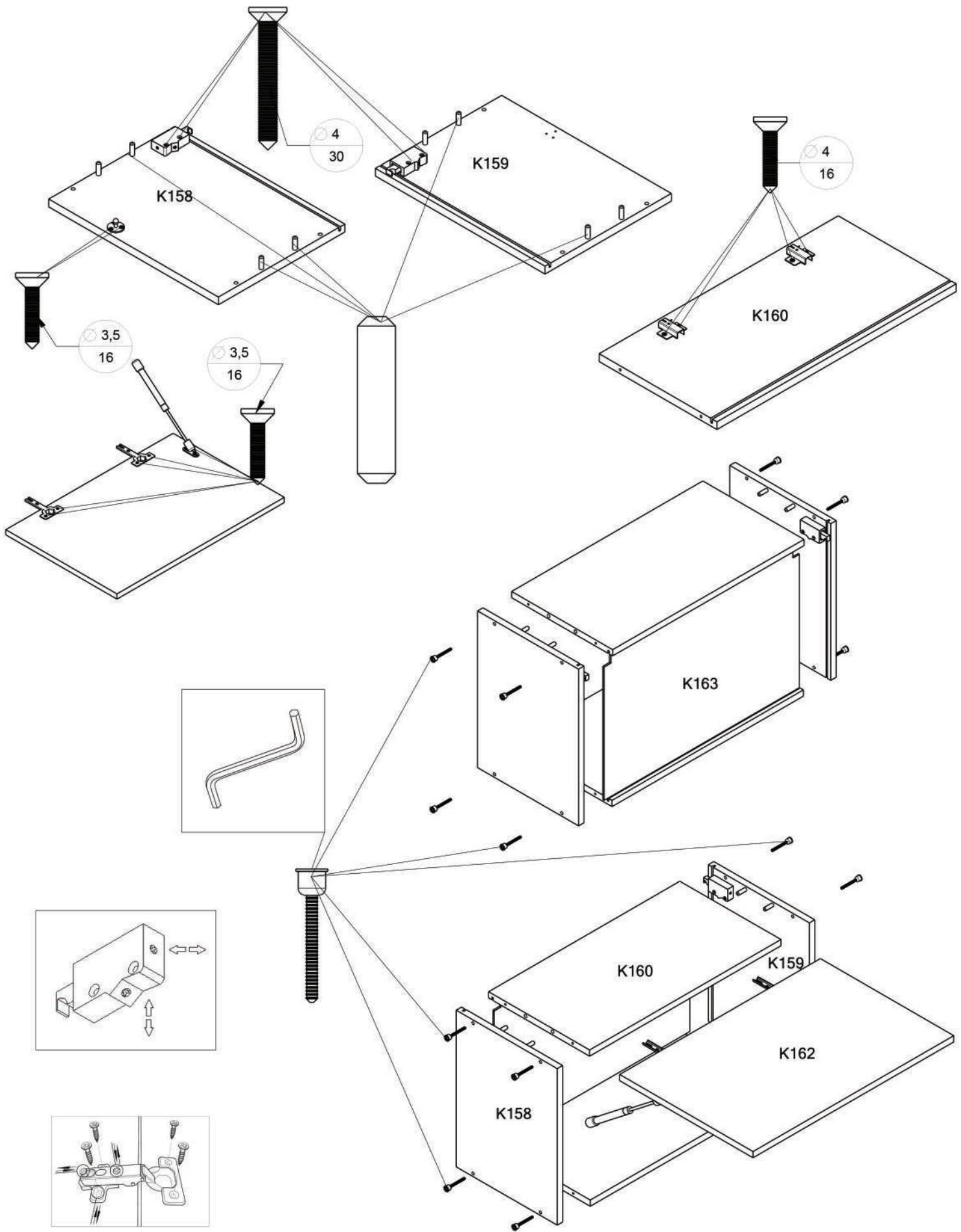


G50/60 ok

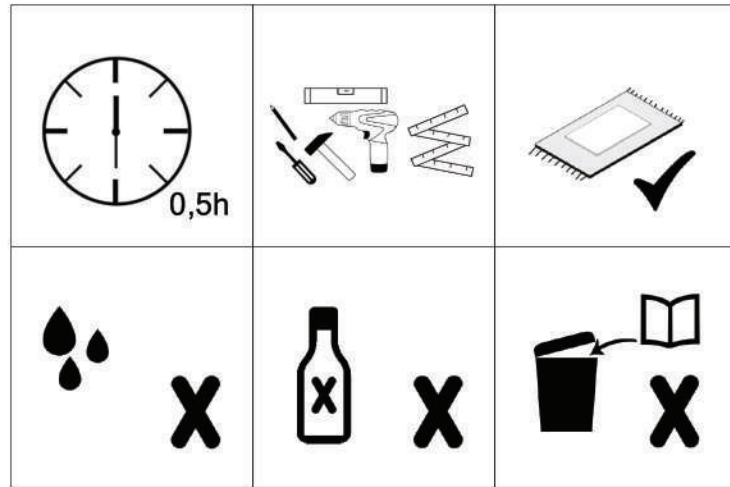
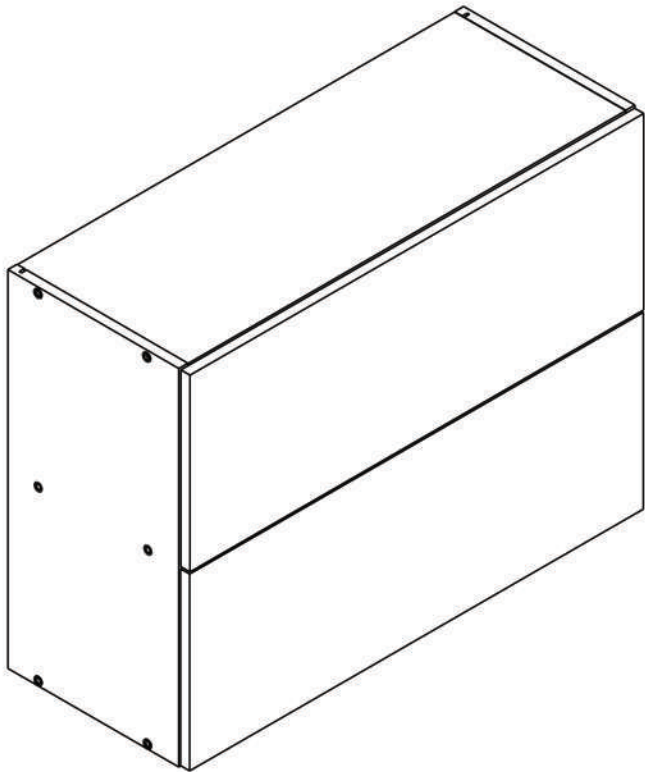


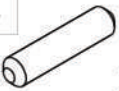

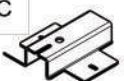





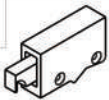




x8	x8	x2
x2	x9	x4
x4	x2	x1
x1	x1	

	G50ok	G60ok
K158	360x300	360x300
K159	360x300	360x300
K160	468x300	568x300
K161	468x300	568x300
K162	496x299	596x299
K163	482x283	582x283

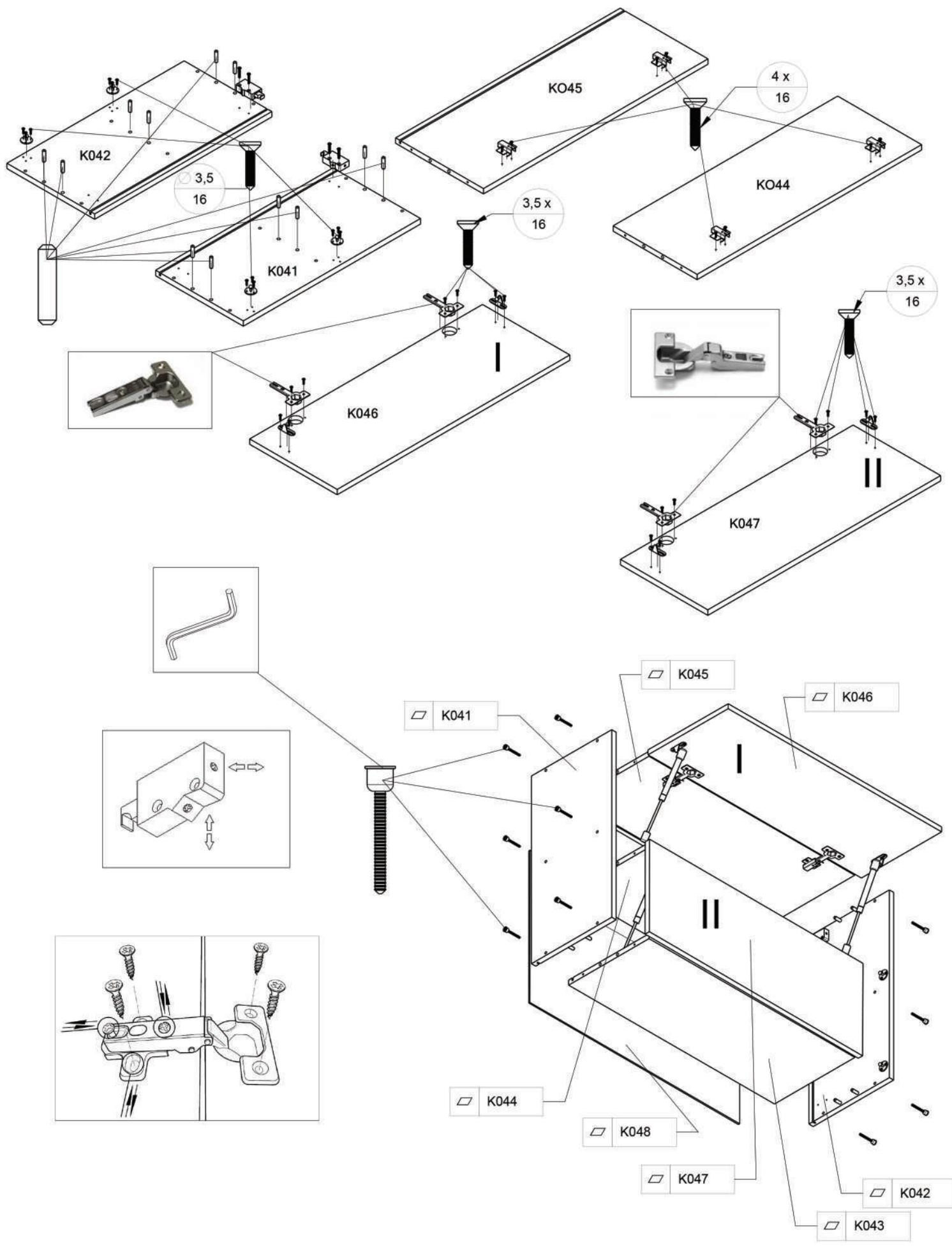


G60uw-80uw

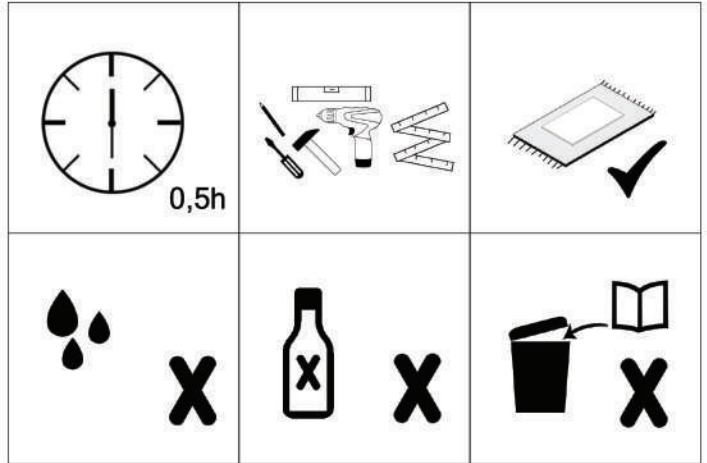
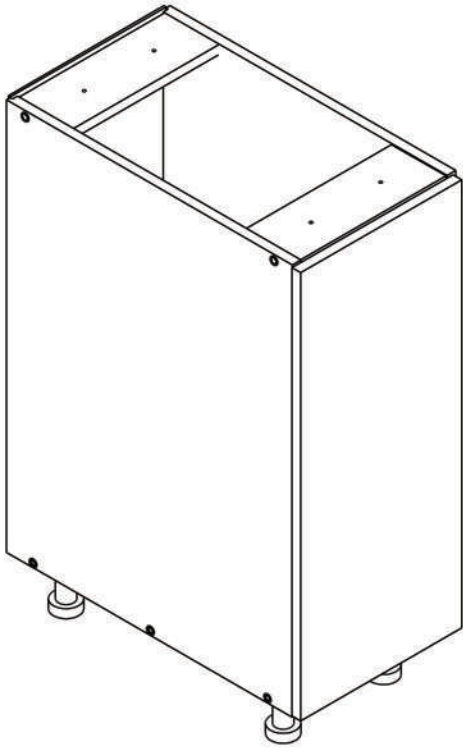


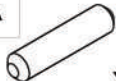


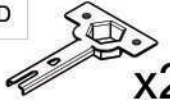




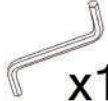


A  x12	B  x12	C  x4
D  x2	E  x2	F  x1
G  x18 <small>3,5 16</small>	H  x8 <small>4 16</small>	J  x2
K  x4 <small>4 30</small>	L  x4	M  x4
N  x4		

	G60uw	G80uw
K041	606x300	606x300
K042	606x300	606x300
K043	568x300	768x300
K044	568x287	768x287
K045	568x300	768x300
K046	596x299	796x299
K047	596x299	796x299
K048	2x582x293	2x782x293

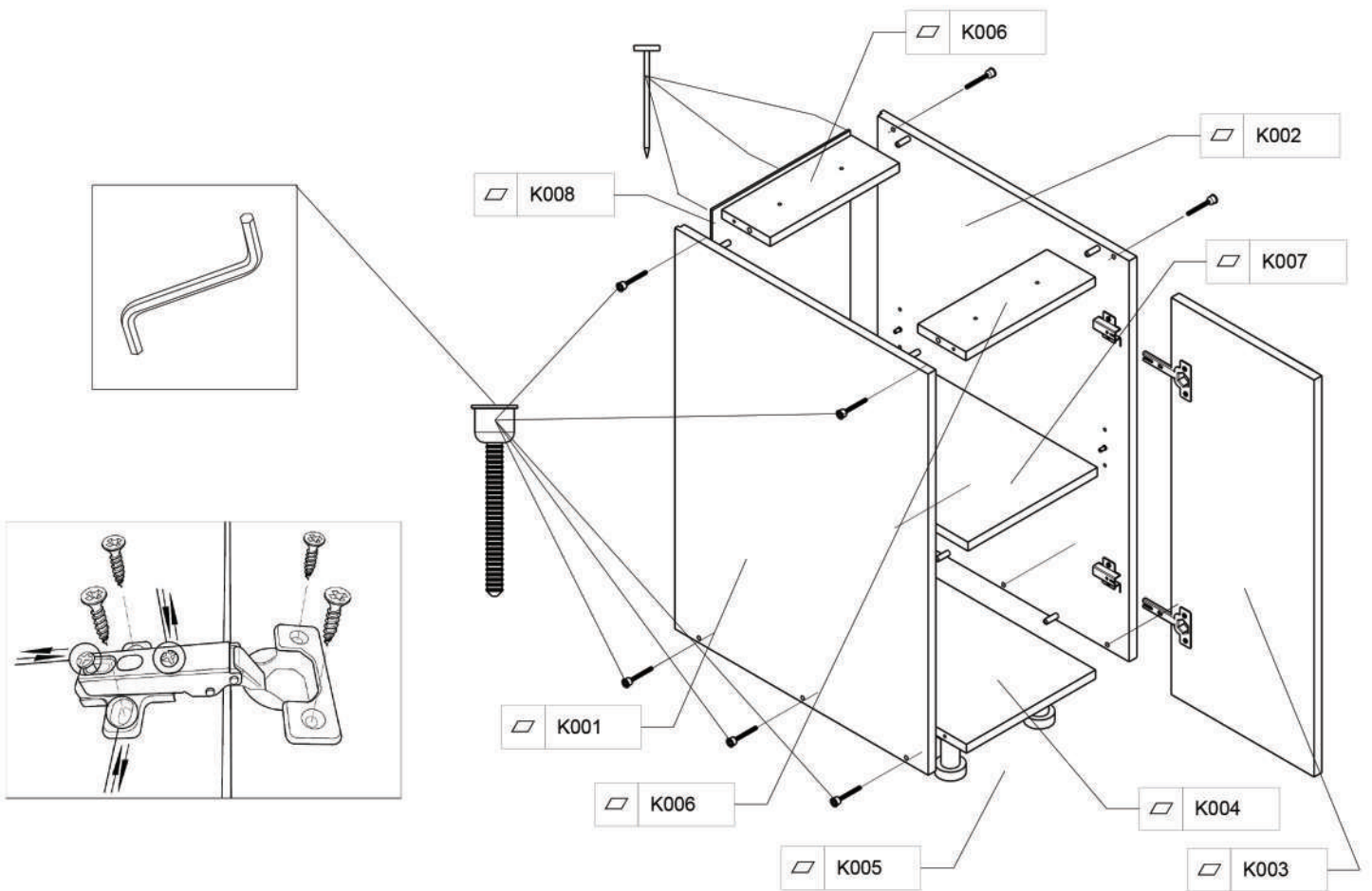
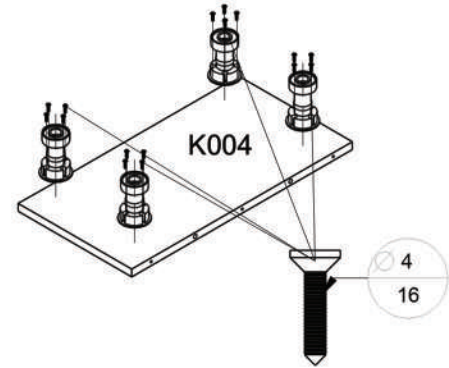
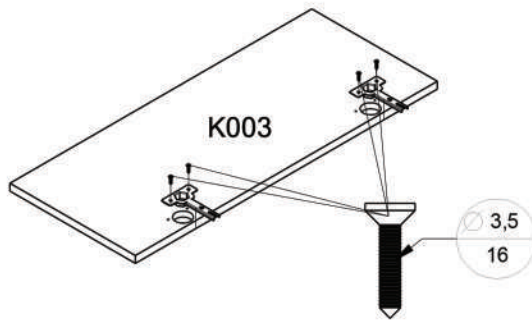
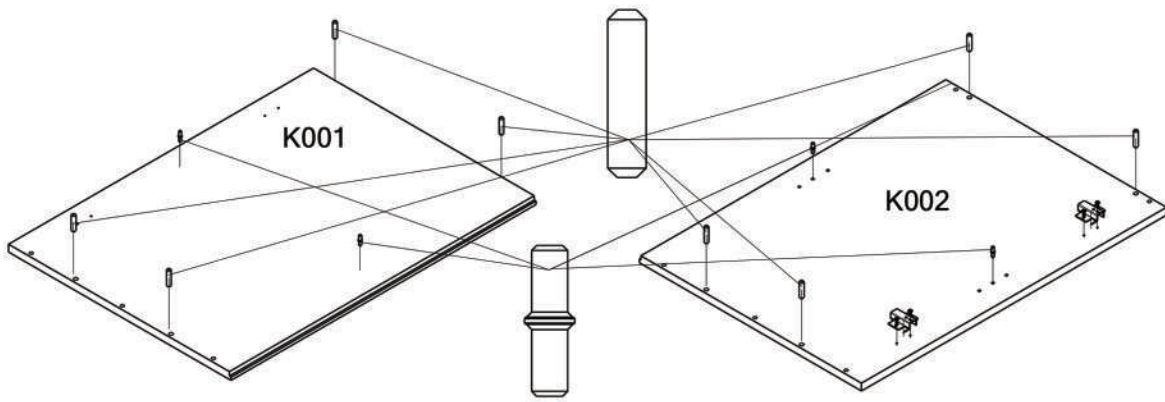


D 30/40/60 1F

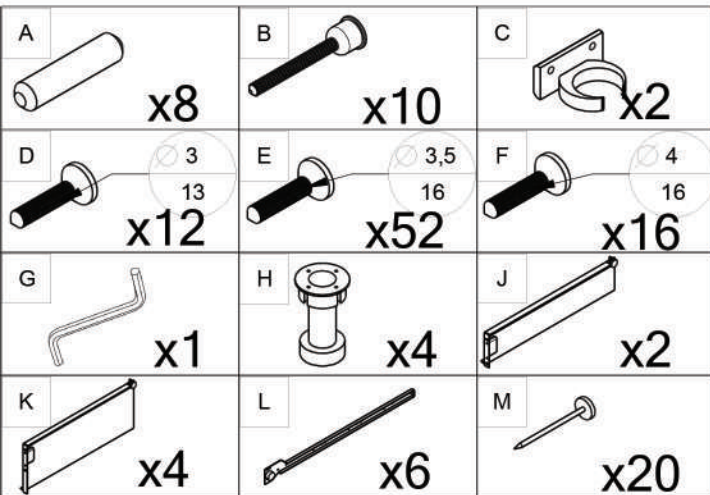
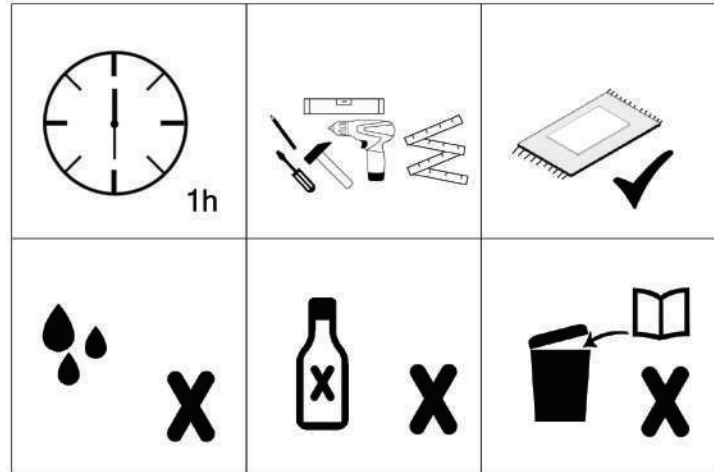
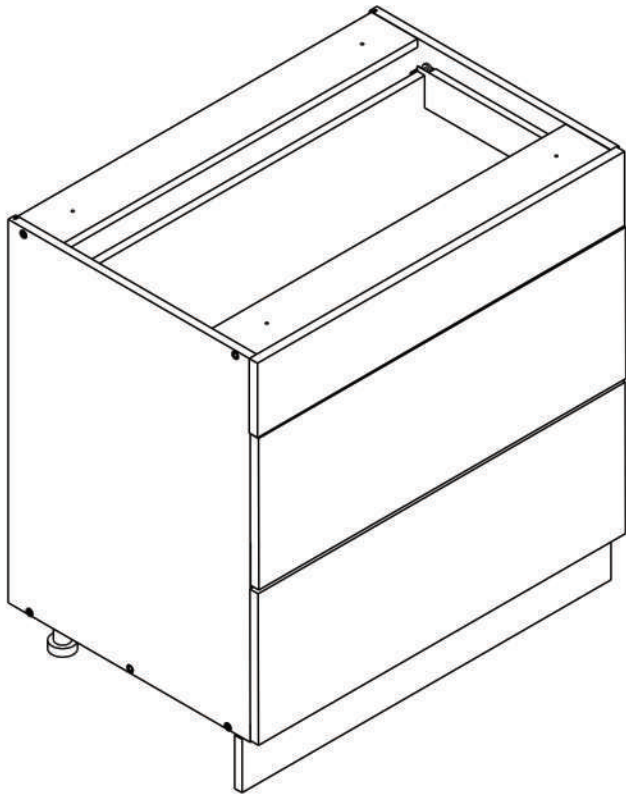


A  x8	B  x10	C  x2
D  x2	E  x2	F  x4
G  x8 3,5 16	H  x20 4 16	J  x1
K  x4	L  x20	

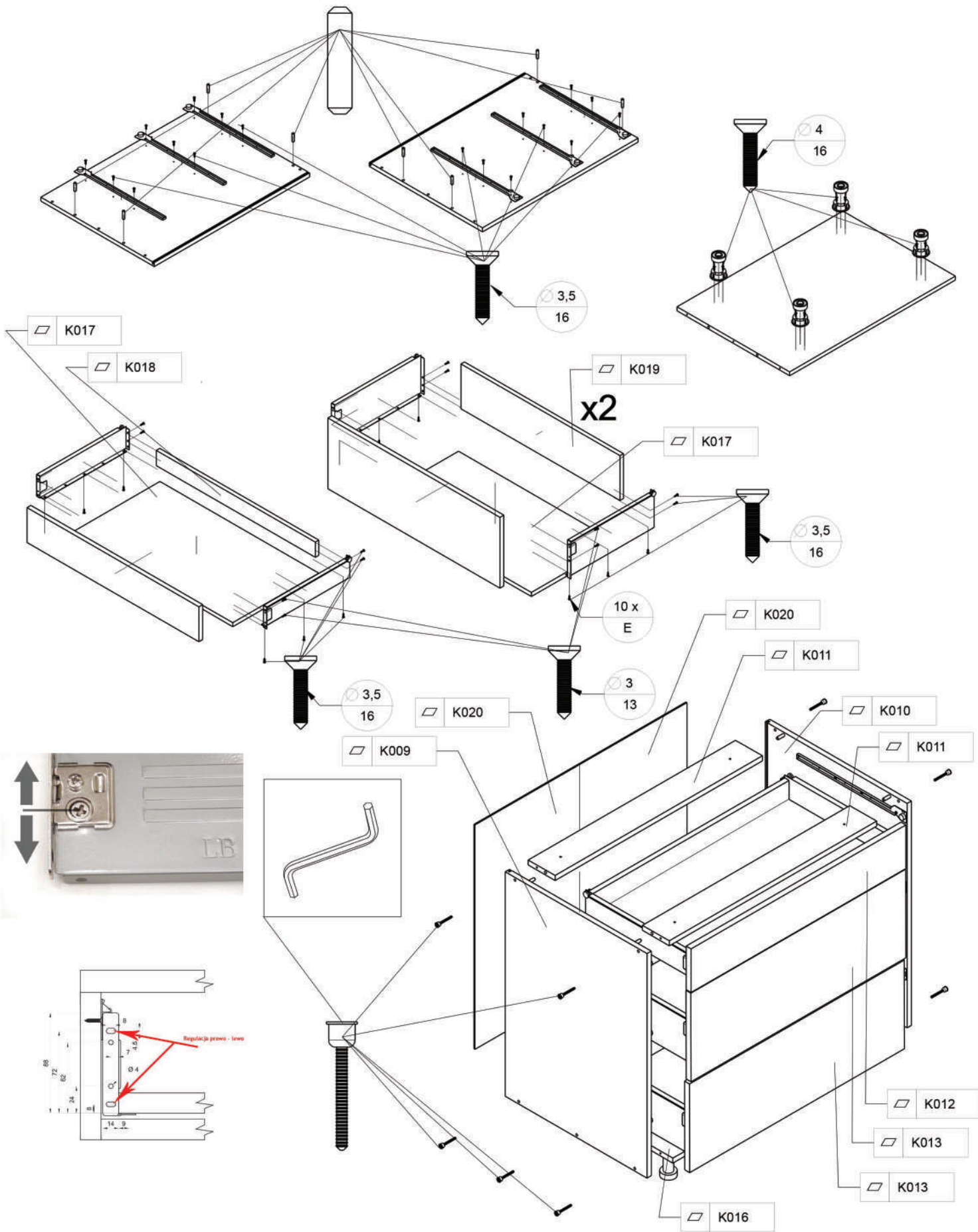
	D30	D40	D60
K001	720x525	720x525	720x525
K002	720x525	720x525	720x525
K003	713x296	713x396	713x596
K004	521x268	521x368	521x568
K006	2x 268x100	2x 368x100	2x 568x100
K007	511x268	511x368	511x568
K008	719x286	719x386	719x586



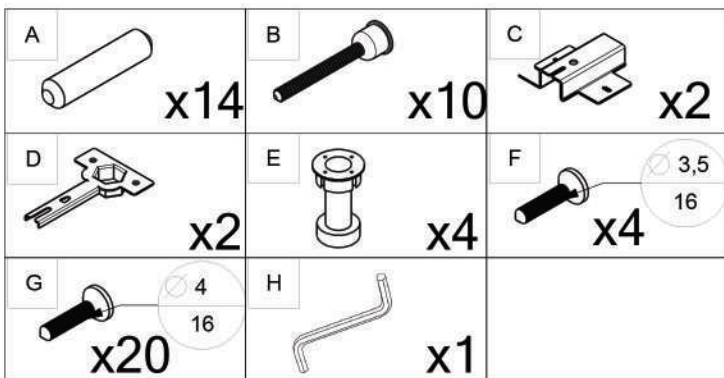
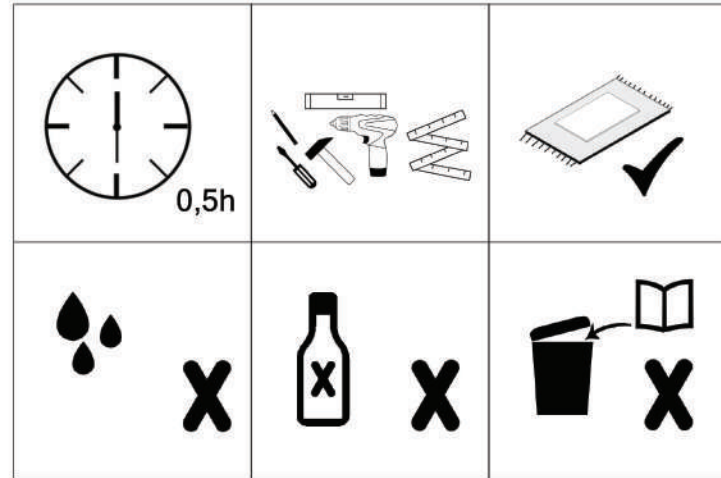
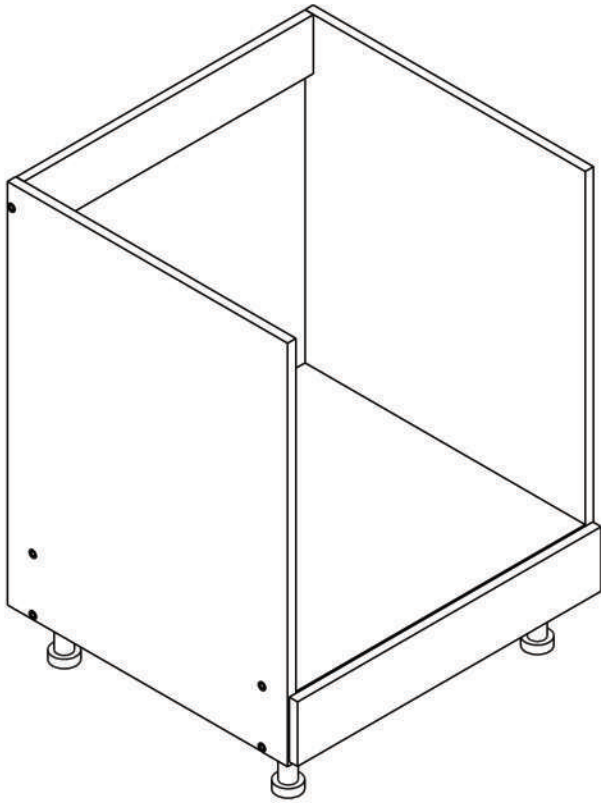
D60 3sz/D80 3sz



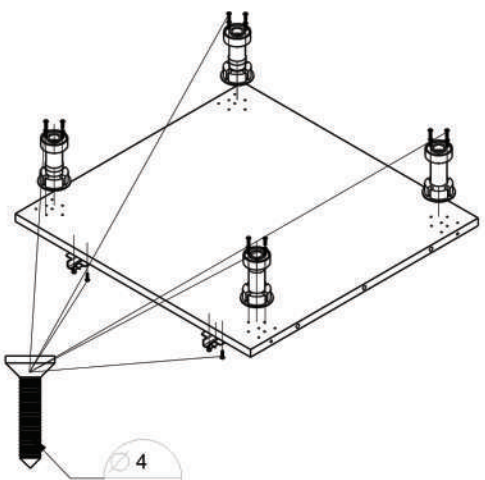
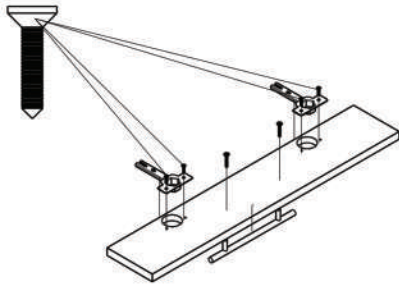
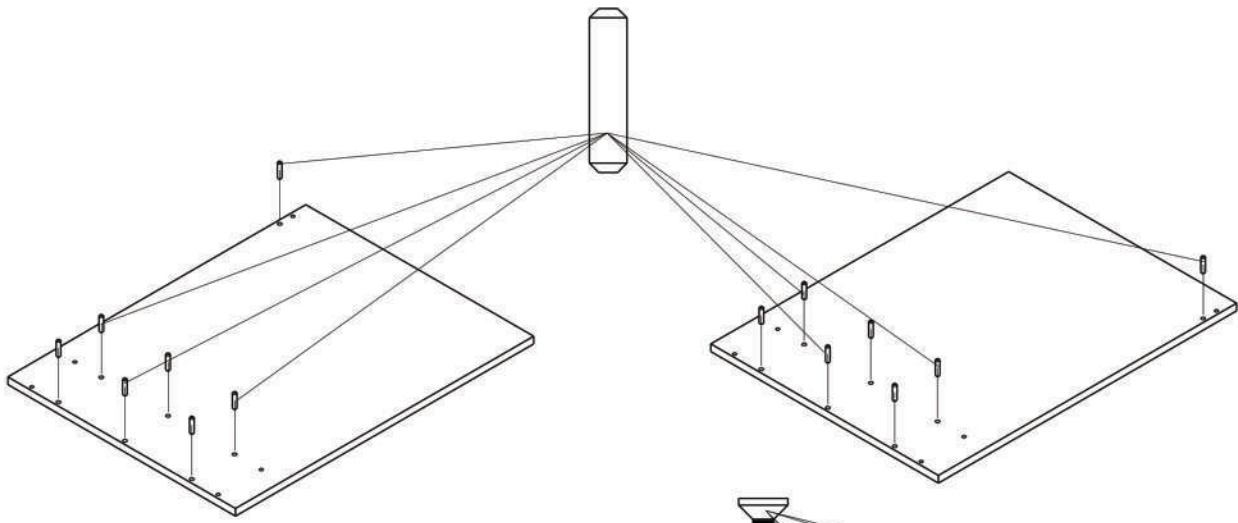
	D80 3sz	D60 3sz
K009	720x525	720x525
K010	720x525	720x525
K011	2x 768x100	2x 568x100
K012	796x140	596x140
K013	2x 796x284	2x 596x284
K016	768x521	568x521
K017	3x 737x398	3x 537x398
K018	736x61	536x61
K019	2x 736x180	2x 536x180
K020	2x 719x390	2x 719x290



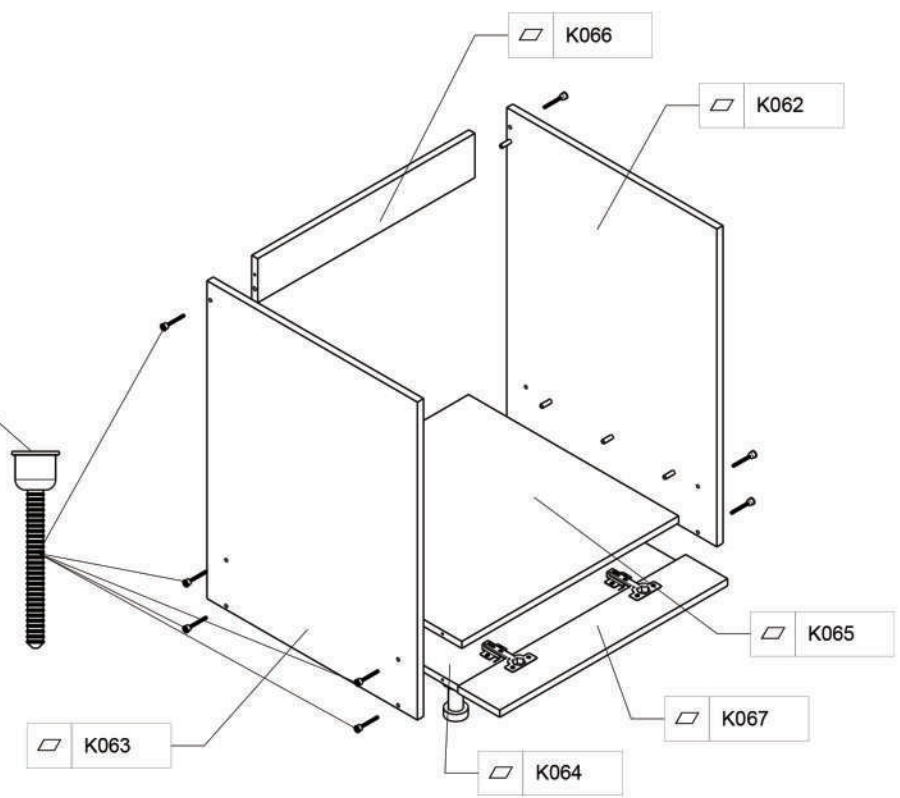
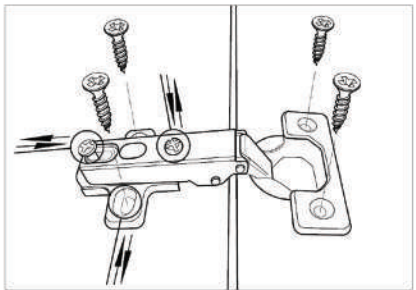
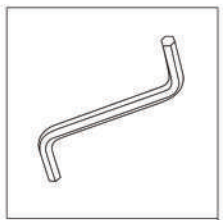
D60 ku



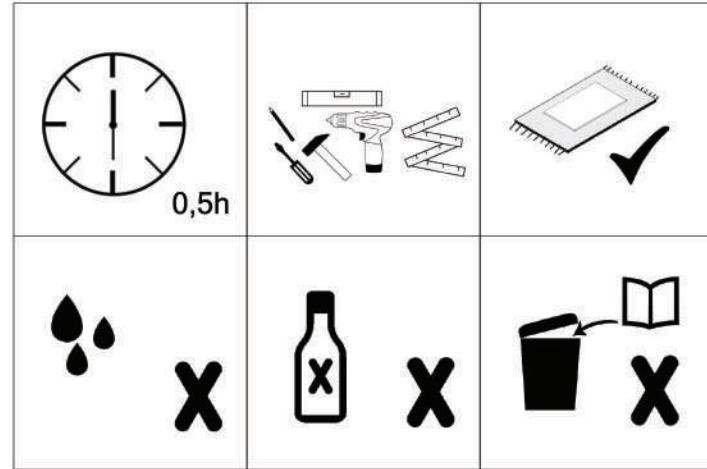
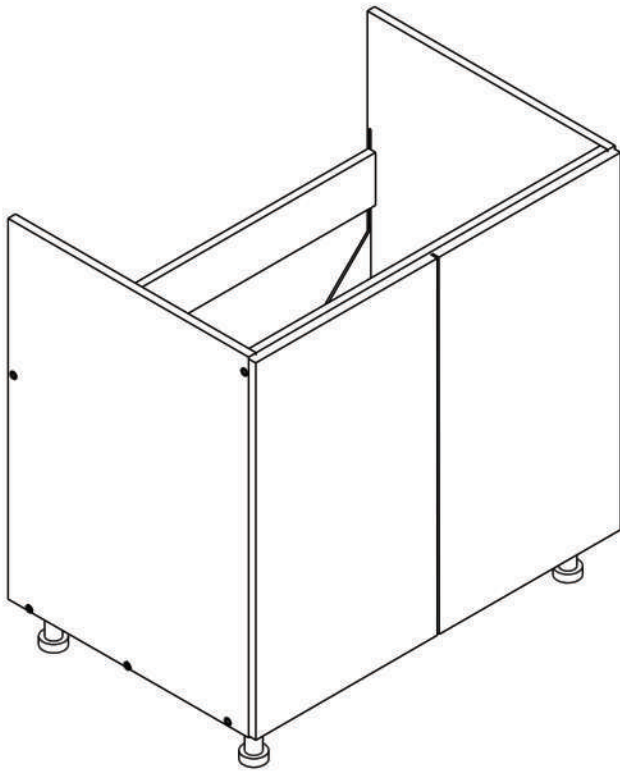
K062	720x525
K063	720x525
K064	568x521
K065	568x521
K066	568x100
K067	596x110

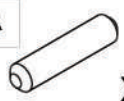

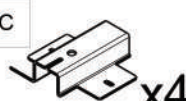
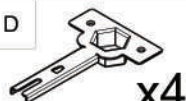








4
16

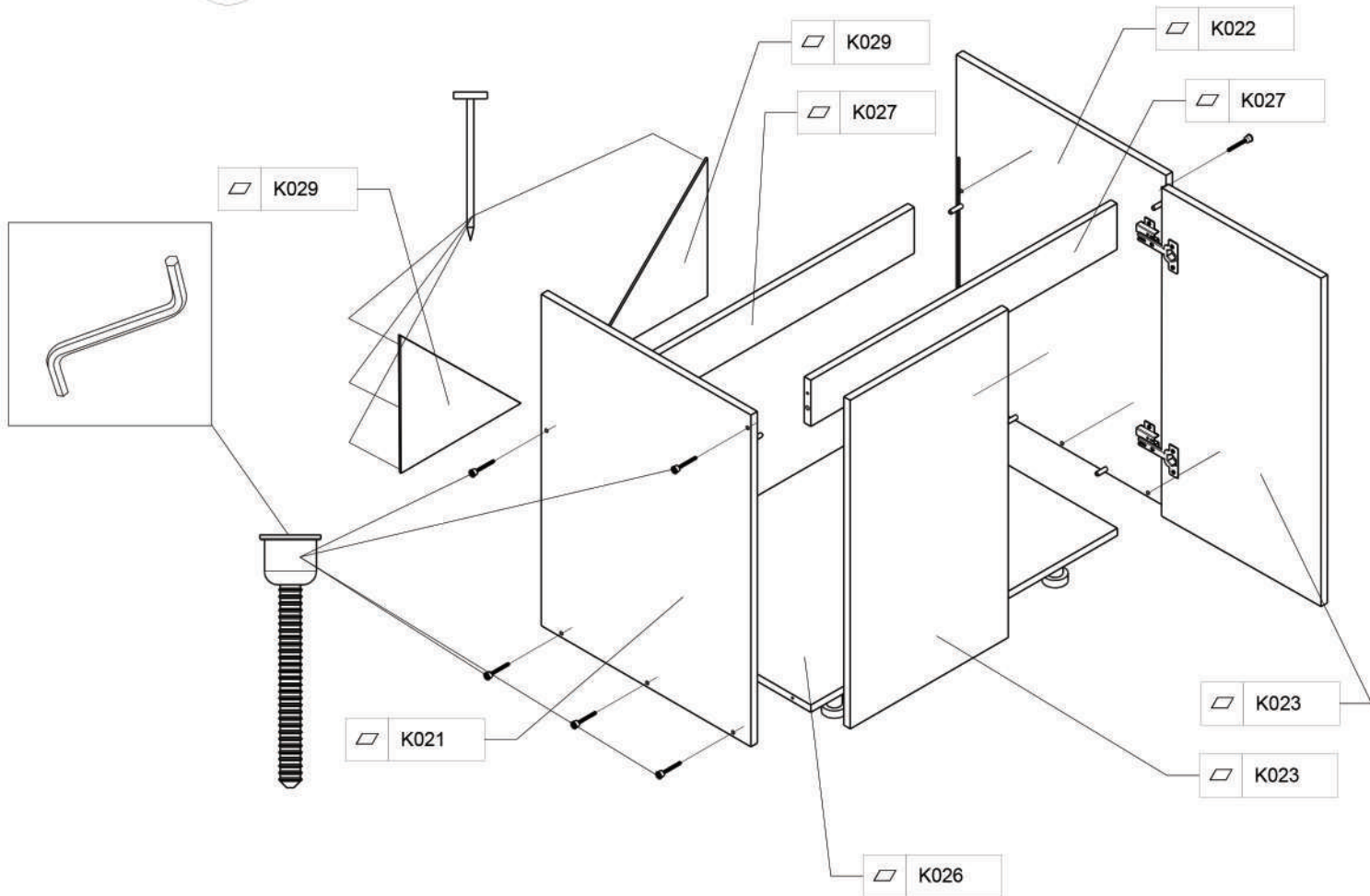
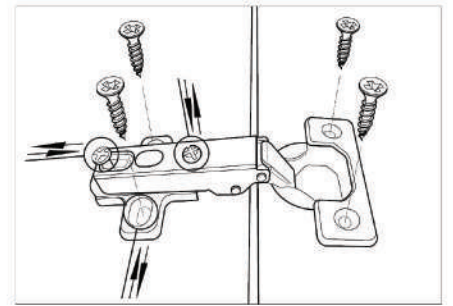
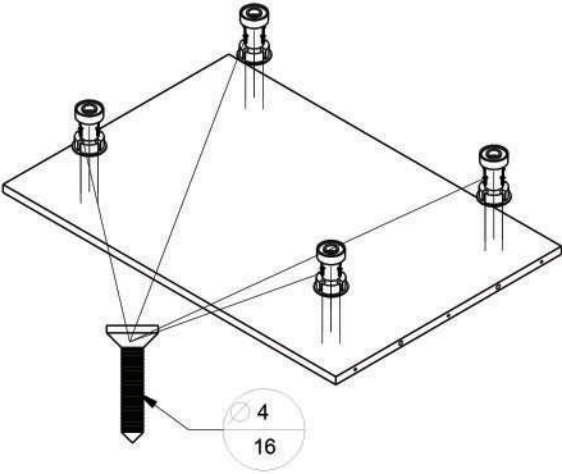
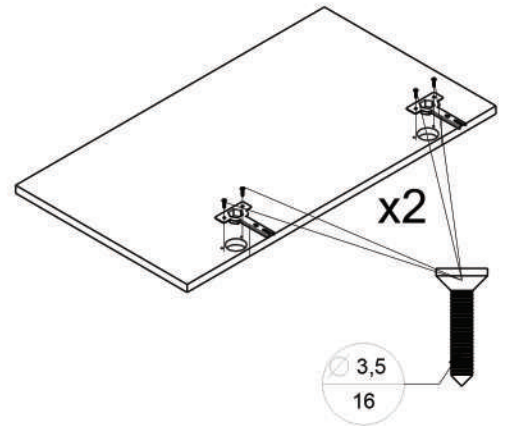
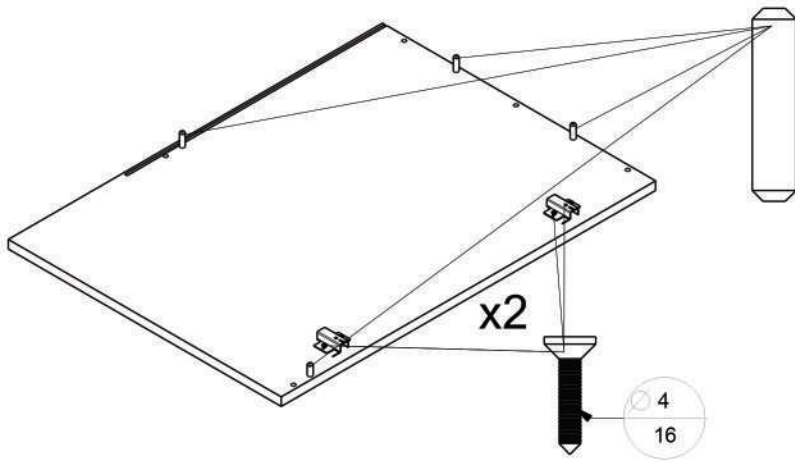


D 80zl

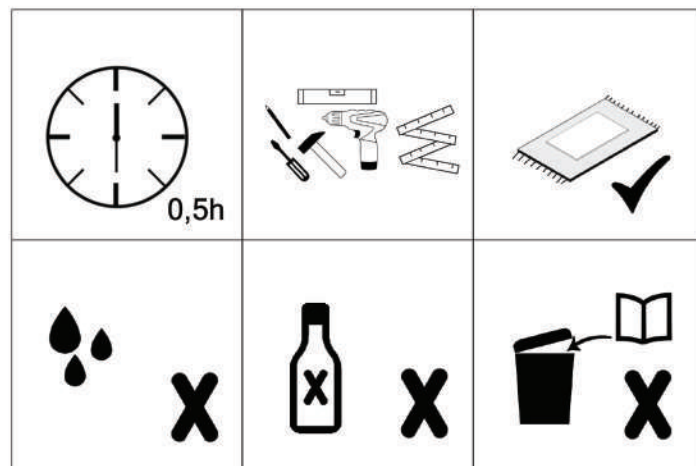
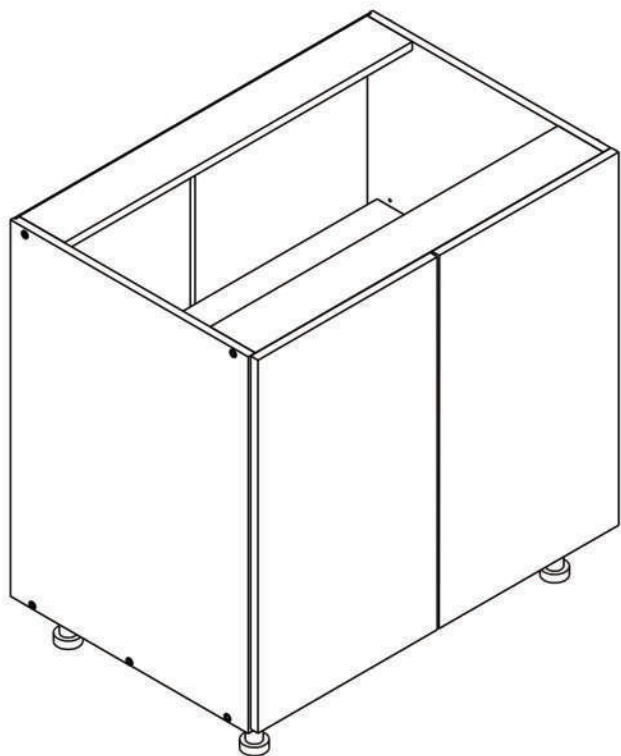


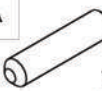

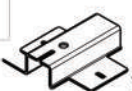
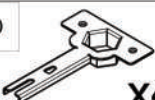





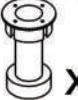


A  x8	B  x10	C  x4
D  x4	E  x2	F 
G  x12	H  x16	J  x1
K  x4		

K121	720x525
K122	720x525
K126	768x521
K127	2x 768x100
K029	2x TRÓKAŹ
K023	2x 713x396

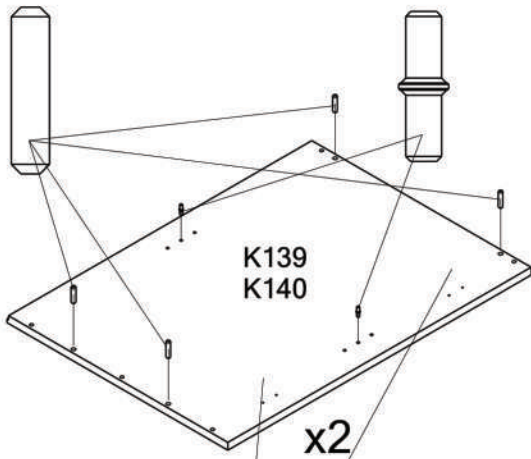


D 80zasl

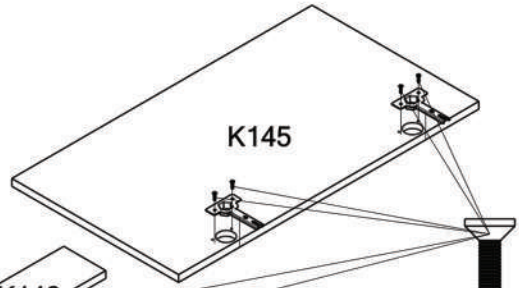


A  x8	B  x10	C  x4
D  x4	E  x4	F  x35
G  x12 3.5 x 16	H  x28 4 x 16	J  x1
K  x4	L  x2	M  x4

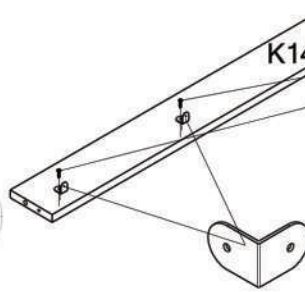
K139	720x525
K140	720x525
K141	768x521
K142	768x511
K143	2x 768x100
K144	2x 719x390
K145	2x 713x396



x2



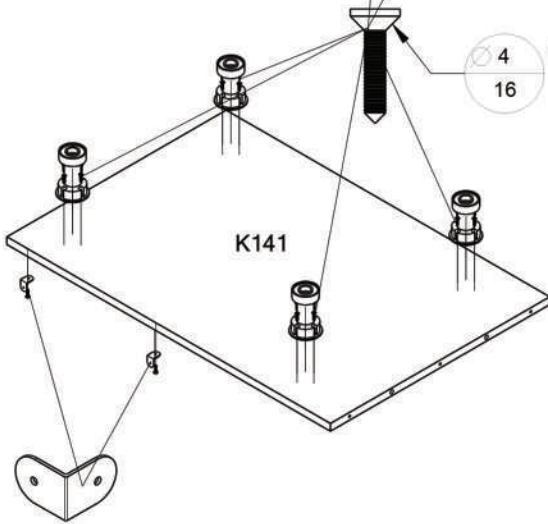
K145



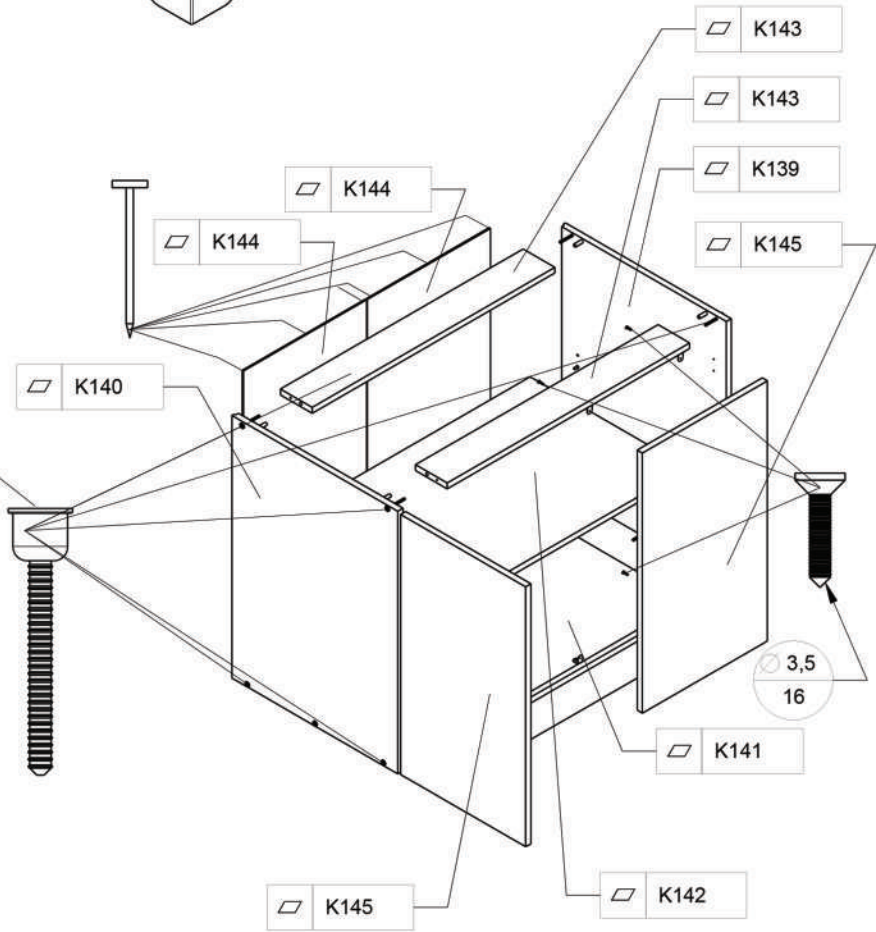
K143

3,5
16



4
16



K141



-  K143
-  K143
-  K139
-  K145

-  K144
-  K144

 K140

 K141

 K145

 K142

3,5
16

